

# Produktdatenblatt

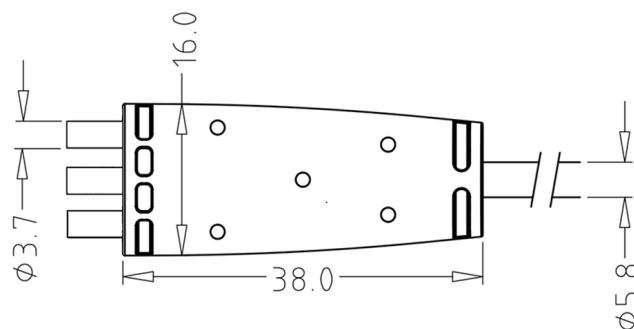
Higo

Splitter series 1T3D



1T3D

<https://higoconnector.digitaledoeners.be/de/e-bike-steckverbinder/1t3d>



## Spezifikationen

### Electrical Parameters

x_max_contact_resistance	?10
x_max_insulation_resistance	?20
x_rated_voltage	48 V AC / 60 V DC
x_withstanding_voltage	500 V

### General Characteristics

x_lower_temperature	-25 °C
x_protection_degree	IP66
x_splitter_size	38 x 10,2 x 16 mm
x_upper_temperature	80 °C
x_wire_section	0,14 / 0,2 mm <sup>2</sup>

# Produktdatenblatt

**Higo**

Splitter series 1T3D

