

Produktdatenblatt

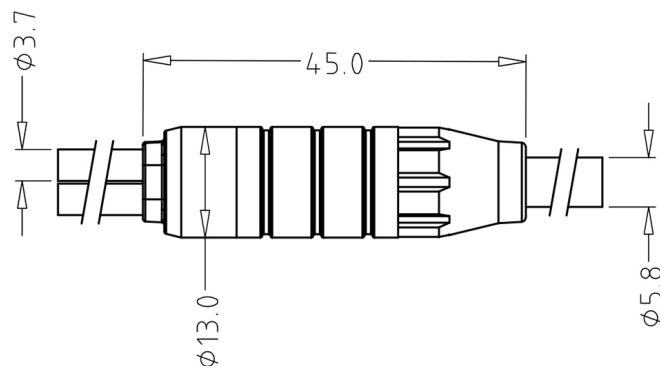
Higo

Splitter series 1T4G



1T4G

<https://higoconnector.digitaledoeners.be/de/e-bike-steckverbinder/1t4g>



Spezifikationen

Electrical Parameters

x_max_contact_resistance	?10
x_max_insulation_resistance	?20
x_rated_voltage	48 V AC / 60 V DC
x_withstanding_voltage	500 V

General Characteristics

x_lower_temperature	-25 °C
x_protection_degree	IP67
x_splitter_size	13 x 45 mm
x_upper_temperature	80 °C
x_wire_section	0,14 / 0,2 mm ²

Produktdatenblatt

Higo

Splitter series 1T4G

