

Produktdatenblatt

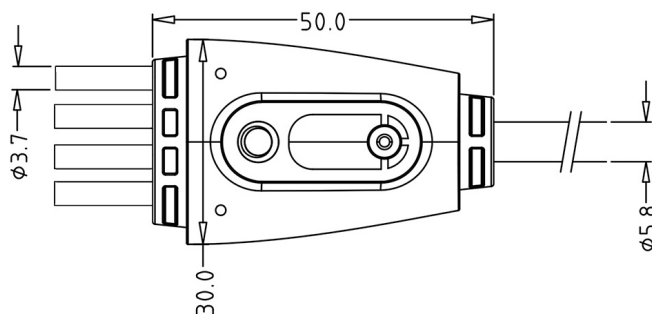
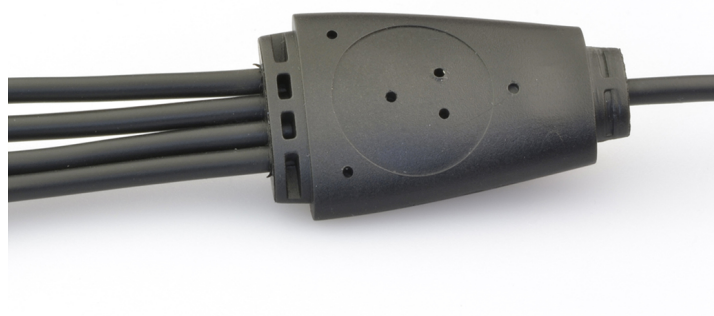
Higo

Splitter series 1T*B



1T*B

<https://higoconnector.digitaledoeners.be/de/e-bike-steckverbinder/1tb>



Spezifikationen

Electrical Parameters

x_max_contact_resistance	?10
x_max_insulation_resistance	?20
x_rated_voltage	48 V AC / 60 V DC
x_withstanding_voltage	500 V

General Characteristics

x_lower_temperature	-25 °C
x_protection_degree	IP66
x_remark	Also available as 1T5B and 1T6B
x_splitter_size	35 x 12,5 mm
x_upper_temperature	80 °C
x_wire_section	0,14 / 0,2 mm ²

Produktdatenblatt

Higo

Splitter series 1T*B

