

Produktdatenblatt

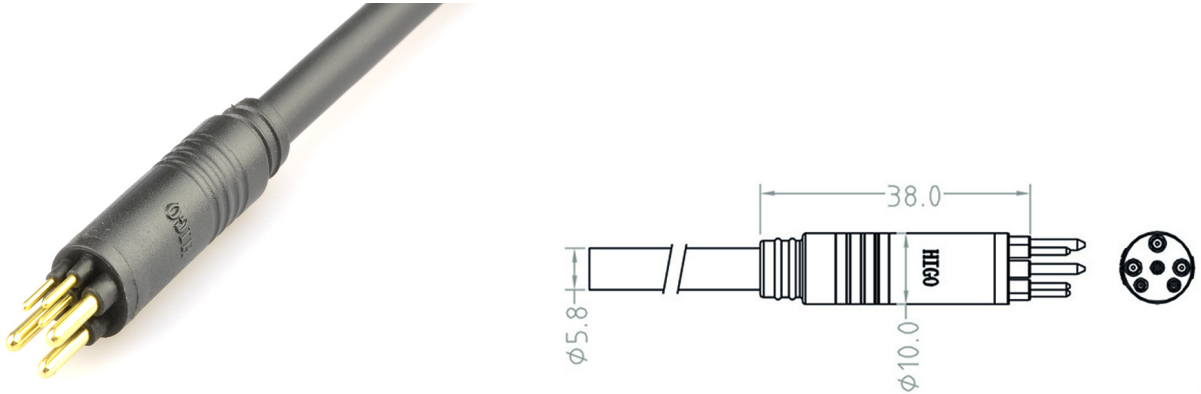
Higo - Z610A

Male cable connector



Z610AG P 00 AC 1000

<https://higoconnector.digitaledoeners.be/de/e-bike-steckverbinder/z610agp00ac1000>



Spezifikationen

Electrical Parameters

x_max_contact_resistance	?10
x_max_insulation_resistance	?20
x Rated current	15 / 2 A
x Rated voltage	48 V AC / 60 V DC

General Characteristics

x_cable_diameter	5.8 mm
x_cable_length	1000 mm
x_color	Black
x_connector_diameter	13 mm
x_connector_shape_detail	Plug
x_fitting_length	75 mm
x_gender_detailed	Male
x_lower_temperature	-25 °C
x_mating_cycles	200 Times
x_number_of_contacts_detailed	6 (3+3)
x_protection_degree	IP66
x_remark	Other cable length/type on request

Produktdatenblatt

Higo - Z610A

Male cable connector



x_upper_temperature	80 °C
x_wire_section	3 x 1,2 + 3 x 0,2

Produktdatenblatt

Higo - Z610A

Male cable connector



Material

x_contact_plating	Gold over Nickel
x_insulation_wire	Teflon
x_material_jacket	PVC
x_material_of_contact	Copper Alloy