

Product data sheet

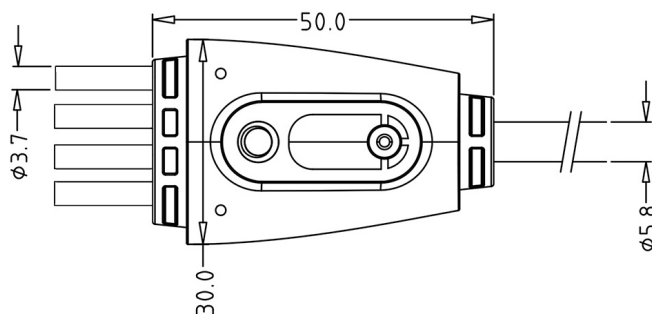
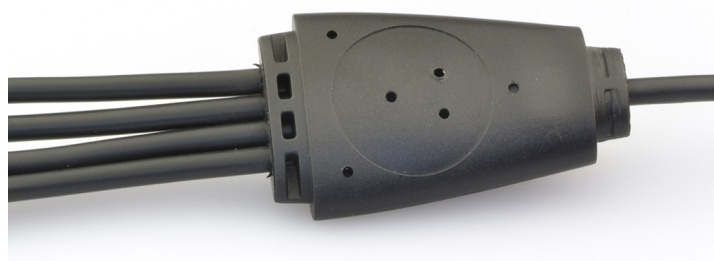
Higo

Splitter series 1T*B



1T*B

<https://higoconnector.digitaledoeners.be/en/e-bike-connector/1tb>



Specifications

Electrical Parameters

Max. contact resistance	?10 m?
Max. insulation resistance	?20 M?
Rated voltage	48 V AC / 60 V DC
Withstanding voltage	500 V

General Characteristics

IP Protection	IP66
Lower temperature	-25 °C
Remark	Also available as 1T5B and 1T6B
Splitter size	35 x 12,5 mm
Upper temperature	80 °C
Wire section	0,14 / 0,2 mm ²

Product data sheet

Higo

Splitter series 1T*B

