

Product data sheet

Higo - F618A

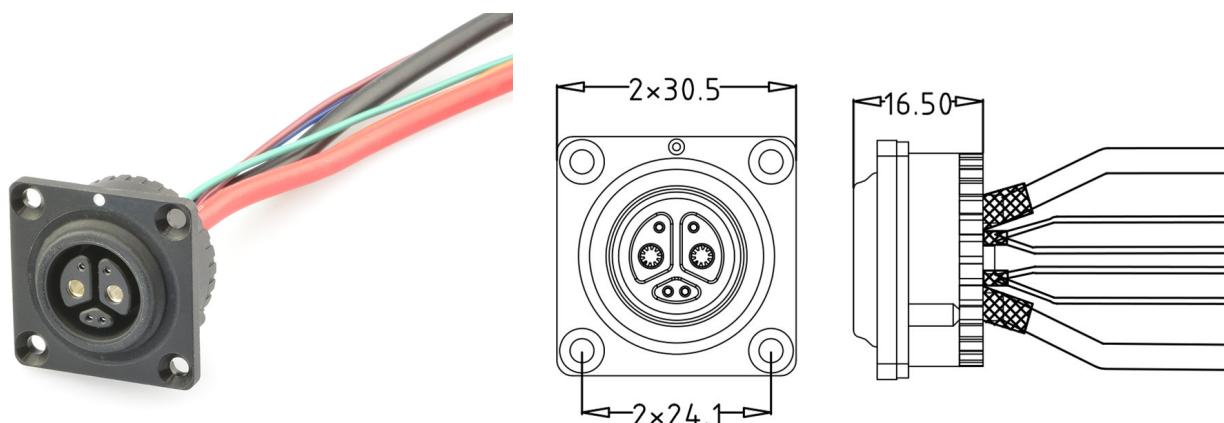
Female panel mount



Push-on flexible

F618AM C 03 GA 0300

<https://higoconnector.digitaledoeners.be/en/e-bike-connector/f618amc03ga0300>



Specifications

Electrical Parameters

Max. contact resistance	≤10 mΩ
Max. insulation resistance	≥20 MΩ
Rated current	30 / 2 A
Rated voltage	48 V AC / 60 V DC

General Characteristics

Cable Length	300 mm
Color	Black
Connector diameter	30,5 x 30,5 mm
Connector shape	Panel mount
Gender	Female
IP Protection	IP67
Locking	Push-on flexible
Lower temperature	-25 °C
Mating cycles	3000 Times
Number of contacts	6 (2+4)

Product data sheet

Higo - F618A

Female panel mount



Remark	Other cable length/type on request
Upper temperature	80 °C
Wire section	2x3,3+ 4x0,20

Product data sheet

Higo - F618A

Female panel mount



Material

Contact plating	Silver plated
Insulation wire	PVC
Material of contact	Copper alloy