

Product data sheet

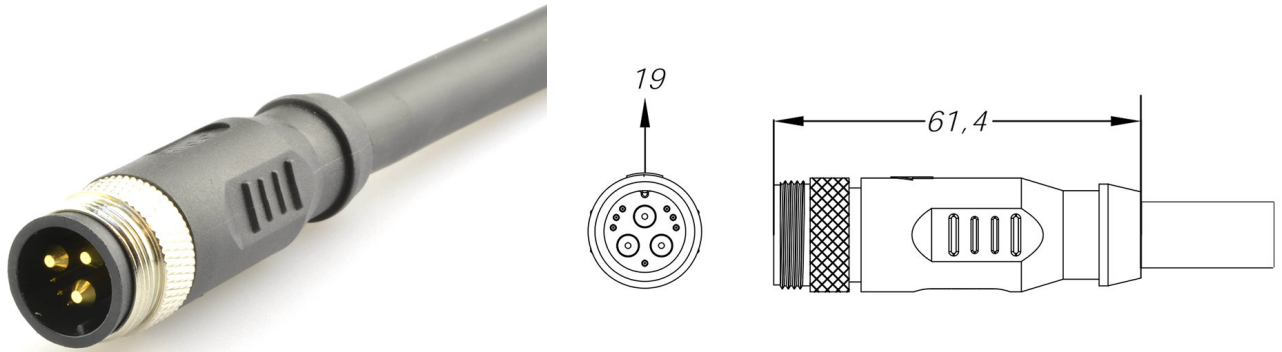
Higo - L1019D

Male cable connector



L1019DG P 00 BX 1000

<https://higoconnector.digitaledoeners.be/en/e-bike-connector/l1019dgp00bx1000>



Specifications

Electrical Parameters

Max. contact resistance	?10 m?
Max. insulation resistance	?20 M?
Rated current	*45 / 2
Rated voltage	48 V AC / 60 V DC

General Characteristics

Cable Length	1000 mm
Cable diameter	11 mm
Color	Black
Connector diameter	19 mm
Connector shape	Plug
Fitting length	114 mm
Gender	Male
IP Protection	IP67
Lower temperature	-25 °C
Mating cycles	200 Times
Number of contacts	10 (3+7)
Remark	*Rated current: 45A / 2A, 2 power pin loaded 40A / 2A, 3 power pin loaded Other cable length/type on request

Product data sheet

Higo - L1019D

Male cable connector



Upper temperature	80 °C
Wire section	3 x 5,3 + 7 x 0,14

Product data sheet

Higo - L1019D

Male cable connector



Material

Contact plating	Gold plated
Insulation wire	FEP
Material jacket	PVC
Material of contact	Copper alloy