

# Product data sheet

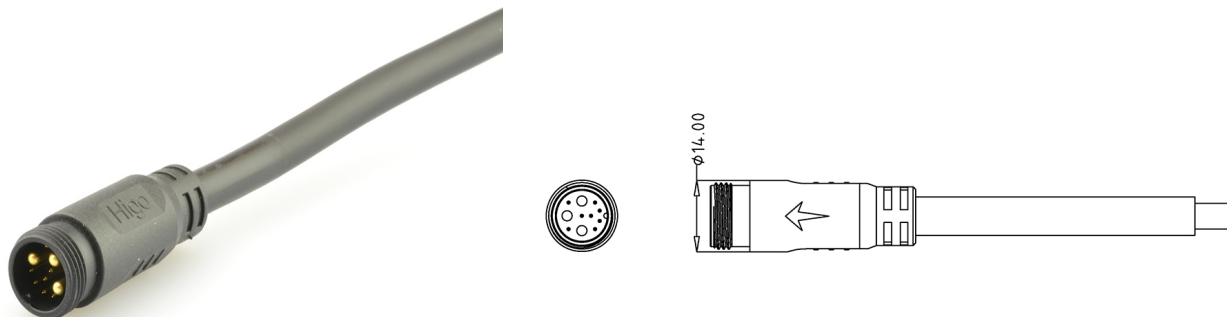
## Higo - L1114A

### Male cable connector



L1114AG P 00 FF 1000

<https://higoconnector.digitaledoeners.be/en/e-bike-connector/l1114agp00ff1000>



## Specifications

### Electrical Parameters

Max. contact resistance	?10 m?
Max. insulation resistance	?20 M?
Rated current	20 / 2 A
Rated voltage	48 V AC / 60 V DC

### General Characteristics

Cable Length	1000 mm
Color	Black
Connector diameter	14 mm
Connector shape	Plug
Fitting length	80 mm
Gender	Male
IP Protection	IP67
Lower temperature	-25 °C
Mating cycles	200 Times
Number of contacts	11 (3+8)
Remark	Other cable length/type on request
Upper temperature	80 °C

# Product data sheet

**Higo - L1114A**

Male cable connector



Wire section

3 x 2,0 + 8 x 1,4

# Product data sheet

**Higo - L1114A**

Male cable connector



## Material

Contact plating	Silver over Nickel
Insulation wire	FEP
Material jacket	PVC
Material of contact	Copper Alloy