

Product data sheet

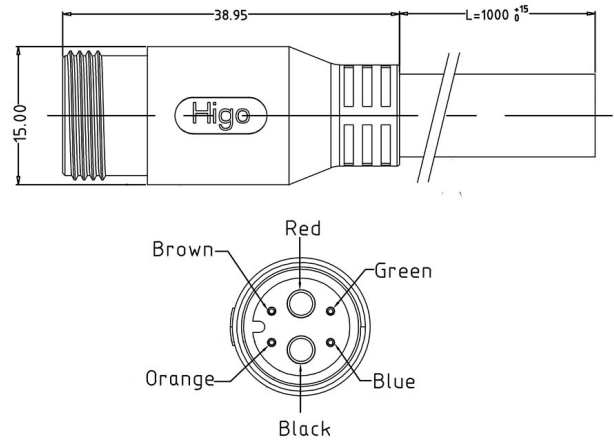
Higo - L615A

Male cable connector



L615AG P 00 DC 1000

<https://higoconnector.digitaledoeners.be/en/e-bike-connector/l615agp00dc1000>



Specifications

Electrical Parameters

Max. contact resistance	?10 m?
Max. insulation resistance	?20 M?
Rated current	40 / 2 A
Rated voltage	48 V AC / 60 V DC

General Characteristics

Cable Length	1000 mm
Color	Black
Connector diameter	15 mm
Connector shape	Plug
Fitting length	77 mm
Gender	Male
IP Protection	IP67
Lower temperature	-25 °C
Mating cycles	200 Times
Number of contacts	6(2+4)
Remark	Other cable length/type on request
Upper temperature	80 °C

Product data sheet

Higo - L615A

Male cable connector



Wire section

2 x 4,0 + 4 x 0,2

Product data sheet

Higo - L615A

Male cable connector



Material

Contact plating	Gold over Nickel
Insulation wire	PTFE
Material jacket	PVC
Material of contact	Brass