

Product data sheet

Higo

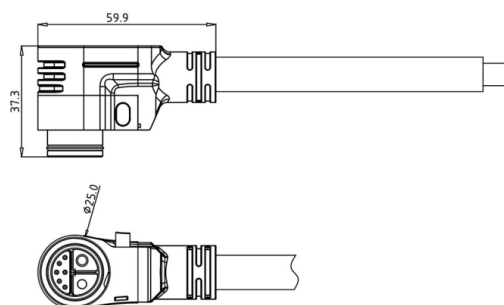
Male cable connector



Self-locking, button release

S824AG A 00 FP 1000

<https://higoconnector.digitaledoeners.be/en/e-bike-connector/s824aga00fp1000>



Specifications

General Characteristics

Cable diameter	13,6 mm
Cable Length	1000 mm
Color	Black
Connector diameter	25 mm
Connector shape	Angled plug
Gender	Male
IP Protection	IP67
Lower temperature	-25 °C
Mating cycles	3000 Times
Number of contacts	8 (2+6)
Remark	Other cable length/type on request
Upper temperature	80 °C
Wire section	2 x 10,0 + 6 x 0,20

Product data sheet

Higo

Male cable connector



Material

Contact plating	Gold over Nickel
Insulation wire	PVC
Material jacket	PVC
Material of contact	Brass

Electrical Parameters

Max. contact resistance	?10
Max. insulation resistance	?20
Rated current	70 / 2 A
Rated voltage	48 V AC / 60 V DC