

Product data sheet

Higo

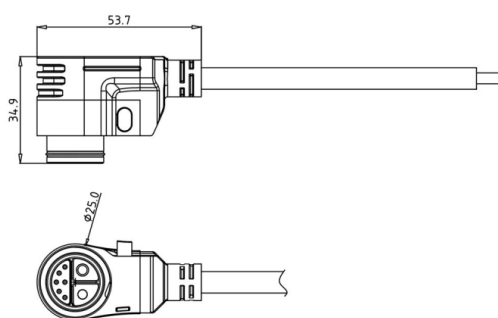
Male cable connector, self-locking, button release



Self-locking, button release

S824BG A 00 FR 1000

<https://higoconnector.digitaledoeners.be/en/e-bike-connector/s824bga00fr1000>



Specifications

General Characteristics

Cable diameter	9 mm
Cable Length	1000 mm
Color	Black
Connector diameter	25,0 mm
Connector shape	Angled plug
Gender	Male
IP Protection	IP67
Lower temperature	-25 °C
Mating cycles	3000 Times
Number of contacts	8 (2+6)
Remark	Other cable length/type on request
Upper temperature	80 °C
Wire section	2 x 4,0 + 6 x 0,20

Product data sheet

Higo

Male cable connector, self-locking, button release



Material

Contact plating	Gold over Nickel
Insulation wire	PVC
Material jacket	FEP
Material of contact	Brass

Electrical Parameters

Max. contact resistance	?10
Max. insulation resistance	?20
Rated current	40 / 2 A
Rated voltage	48 V AC / 60 V DC