

# Product data sheet

## Higo - S828B

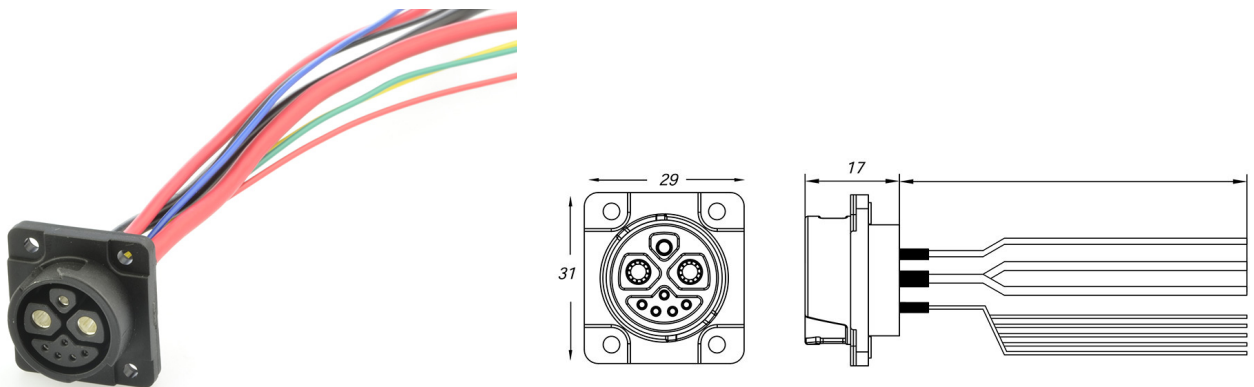
Female panel mount connector



## Charging & discharging in 1

S828BM C 03 GM 0300

<https://higoconnector.digitaledoeners.be/en/e-bike-connector/s828bmc03gm0300>



## Specifications

### Electrical Parameters

Max. contact resistance	?10 m?
Max. insulation resistance	?20 M?
Rated current	50 / 12 / 2 A
Rated voltage	48 V AC / 60 V DC

### General Characteristics

Cable Length	300 mm
Color	Black
Connector diameter	29,0 x 31,0 mm
Connector shape	Panel mount
Gender	Female
IP Protection	IP67
Lower temperature	-25 °C
Mating cycles	3000 Times
Remark	Other cable length/type on request
Upper temperature	80 °C

# Product data sheet

**Higo - S828B**

Female panel mount connector



Wire section

2 x 4,0 + 1 x 0,82 + 5 x 0,2

# Product data sheet

**Higo - S828B**

Female panel mount connector



## Material

Contact plating	Silver plated
Insulation wire	PVC
Material of contact	8 (2+1+5) Phosphor Bronze