

Product data sheet

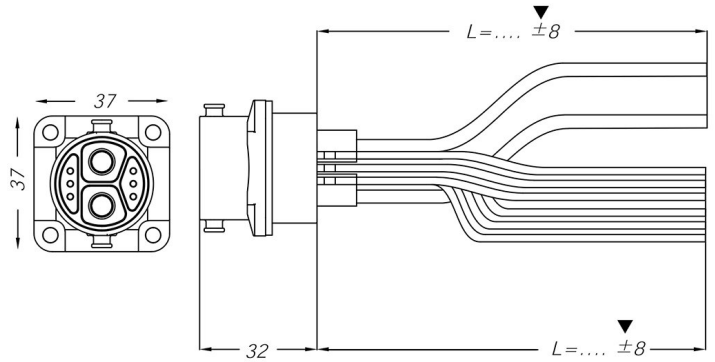
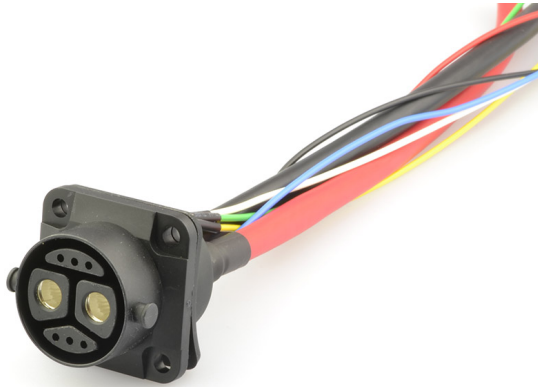
Higo - S835A

Female panel mount connector



S835AM C 03 HB 0300

<https://higoconnector.digitaledoeners.be/en/e-bike-connector/s835amc03hb0300>



Specifications

Electrical Parameters

Max. contact resistance	?10 m?
Max. insulation resistance	?20 M?
Rated current	100 / 2 A
Rated voltage	48 V AC / 60 V DC

General Characteristics

Cable Length	300 mm
Color	Black
Connector diameter	37 x 37 mm
Connector shape	Panel mount
Gender	Female
IP Protection	IP67
Lower temperature	-25 °C
Mating cycles	3000 Times
Remark	Other cable length/type on request
Upper temperature	80 °C
Wire section	2 x 16,0 + 6 x 0,5

Product data sheet

Higo - S835A

Female panel mount connector



Material

Contact plating	Silver plated
Insulation wire	PVC
Material of contact	8 (2+6) Phosphor Bronze