

Product data sheet

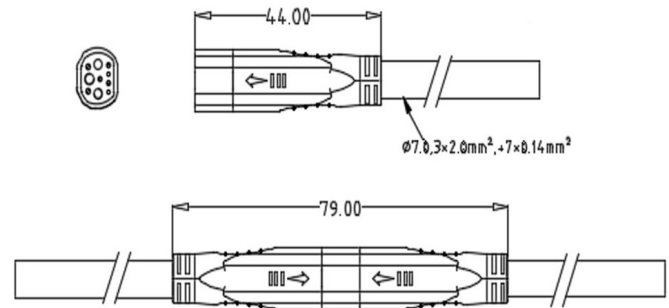
Higo - Z1012B

Male cable connector



Z1012BG P 00 FB 1000

<https://higoconnector.digitaledoeners.be/en/e-bike-connector/z1012bgp00fb1000>



Specifications

Electrical Parameters

Max. contact resistance	?10 m?
Max. insulation resistance	?20 M?
Rated current	20 A
Rated voltage	48 V AC / 60 V DC

General Characteristics

Cable Length	1000 mm
Cable diameter	7 mm
Color	Black
Connector diameter	11,48 x 9,55 mm
Connector shape	Plug
Fitting length	79 mm
Gender	Male
IP Protection	IPX7
Lower temperature	-25 °C
Mating cycles	200 Times
Number of contacts	10 (3+7)
Remark	Other cable length/type on request

Product data sheet

Higo - Z1012B

Male cable connector



Upper temperature	80 °C
Wire section	3 x 2,0 + 7 x 0,14

Product data sheet

Higo - Z1012B

Male cable connector



Material

Contact plating	Gold over Nickel
Insulation wire	FEP
Material jacket	PVC
Material of contact	Copper Alloy