

# Product data sheet

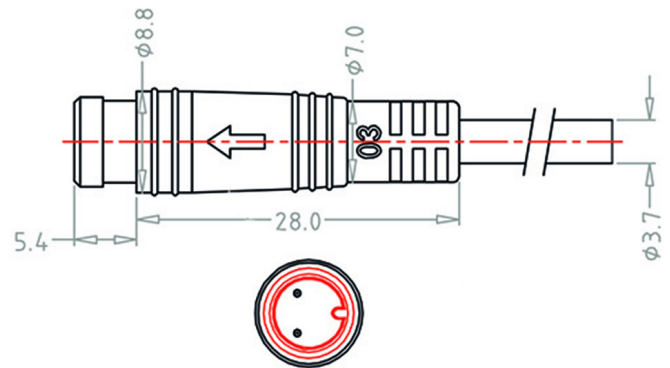
## Higo - Mini B

### Mini B Male cable connector



Z209BG P 00 AW 1000

<https://higoconnector.digitaledoeners.be/en/e-bike-connector/z209bgp00aw1000>



## Specifications

### Electrical Parameters

|                            |                   |
|----------------------------|-------------------|
| Max. contact resistance    | ?10               |
| Max. insulation resistance | ?20               |
| Rated current              | 2 A               |
| Rated voltage              | 48 V AC / 60 V DC |

### General Characteristics

|                    |                                    |
|--------------------|------------------------------------|
| Cable Length       | 1000 mm                            |
| Cable diameter     | 2.4 mm                             |
| Color              | Red                                |
| Connector diameter | 9 mm                               |
| Connector shape    | Plug                               |
| Fitting length     | 62 mm                              |
| Gender             | Male                               |
| IP Protection      | IP66                               |
| Lower temperature  | -25 °C                             |
| Mating cycles      | 200 Times                          |
| Number of contacts | 2                                  |
| Remark             | Other cable length/type on request |

# Product data sheet

## Higo - Mini B

### Mini B Male cable connector



|                   |                      |
|-------------------|----------------------|
| Upper temperature | 80 °C                |
| Wire section      | 0.14 mm <sup>2</sup> |

# Product data sheet

## Higo - Mini B

### Mini B Male cable connector



#### Material

|                     |                  |
|---------------------|------------------|
| Contact plating     | Gold over Nickel |
| Insulation wire     | Teflon           |
| Material jacket     | TPU              |
| Material of contact | Copper Alloy     |