

# Product data sheet

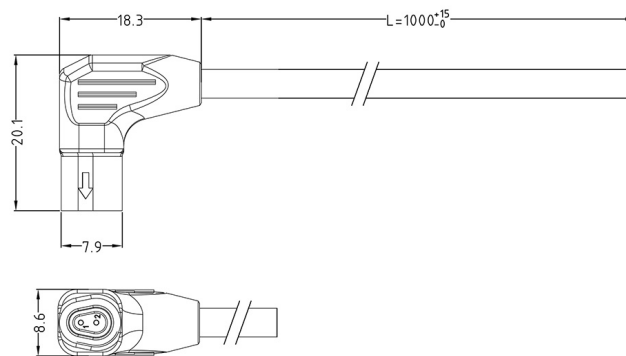
## Higo - Mini F

### Mini F Female angled plug connector



Z209FM A 00 A0 1000

<https://higoconnector.digitaledoeners.be/en/e-bike-connector/z209fma00a01000>



## Specifications

### Electrical Parameters

Max. contact resistance	?10 m?
Max. insulation resistance	?20 M?
Rated current	2 A
Rated voltage	48 V AC / 60 V DC

### General Characteristics

Cable Length	1000 mm
Color	Red
Connector shape	Angled plug
Gender	Female
IP Protection	IP66
Lower temperature	-25 °C
Mating cycles	200 Times
Number of contacts	2
Remark	Other cable length/type on request
Upper temperature	80 °C
Wire section	2 x 0,14 mm <sup>2</sup>

# Product data sheet

## Higo - Mini F

Mini F Female angled plug connector



### Material

Contact plating	Gold over Nickel
Insulation wire	PVC
Material jacket	PVC
Material of contact	Copper Alloy