

# Product data sheet

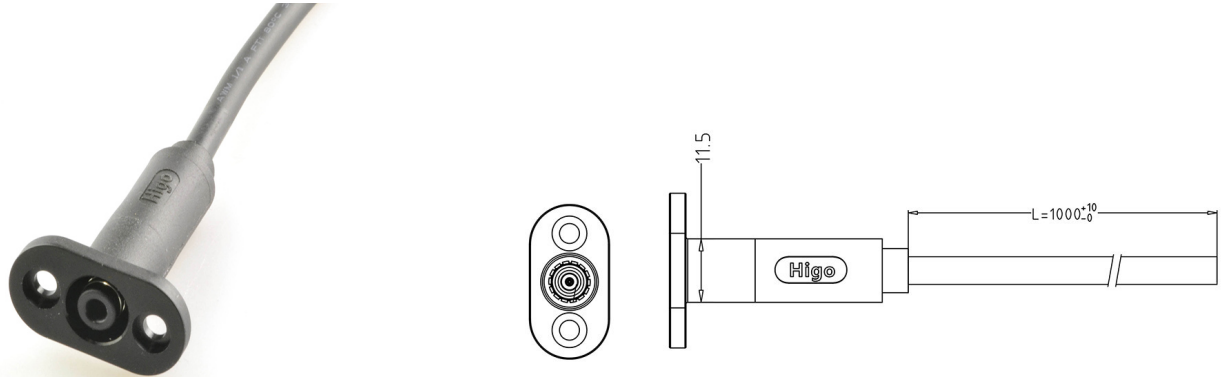
## Higo - Z212A

### Female cable connector



Z212AM P 00 BW 1000

<https://higoconnector.digitaledoeners.be/en/e-bike-connector/z212amp00bw1000>



## Specifications

### Electrical Parameters

Max. contact resistance	?10 m?
Max. insulation resistance	?20 M?
Rated current	8 A
Rated voltage	48 V AC / 60 V DC

### General Characteristics

Cable Length	1000 mm
Cable diameter	5 mm
Color	Black
Connector diameter	11.5 mm
Connector shape	Plug
Fitting length	30 mm
Gender	Female
IP Protection	IP67
Lower temperature	-25 °C
Mating cycles	3000 Times
Number of contacts	2
Remark	Other cable length/type on request

# Product data sheet

**Higo - Z212A**

Female cable connector



Upper temperature	80 °C
Wire section in AWG	2 x 18 AWG

# Product data sheet

**Higo - Z212A**

Female cable connector



## Material

Contact plating	Gold over Nickel
Insulation wire	PVC
Material jacket	PVC
Material of contact	Phosphor Bronze