

# Product data sheet

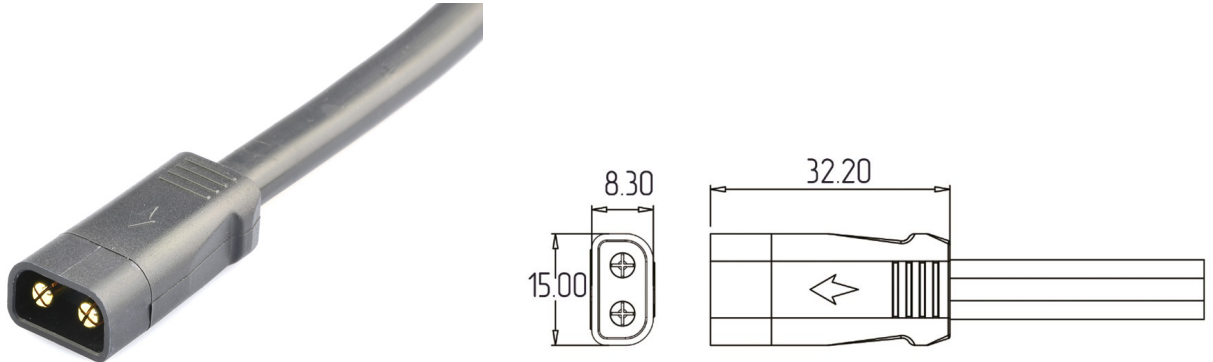
## Higo - Z216A

### Male cable connector



Z216AG P 00 FD 1000

<https://higoconnector.digitaledoeners.be/en/e-bike-connector/z216agp00fd1000>



## Specifications

### Electrical Parameters

Max. contact resistance	?10 m?
Max. insulation resistance	?20 M?
Rated current	25 A
Rated voltage	48 V AC / 60 V DC

### General Characteristics

Cable Length	1000 mm
Cable diameter	8x5 mm
Color	Black
Connector diameter	9 mm
Connector shape	Plug
Fitting length	51 mm
Gender	Male
IP Protection	IPX7
Locking	Push-on (no locking)
Lower temperature	-25 °C
Mating cycles	200 Times
Number of contacts	2

# Product data sheet

**Higo - Z216A**

Male cable connector



<b>Remark</b>	Other cable length/type on request
<b>Upper temperature</b>	80 °C
<b>Wire section</b>	2.5 mm <sup>2</sup>

# Product data sheet

**Higo - Z216A**

Male cable connector



## Material

Contact plating	Gold over Nickel
Insulation wire	PVC
Material jacket	PVC
Material of contact	Copper Alloy