

Product data sheet

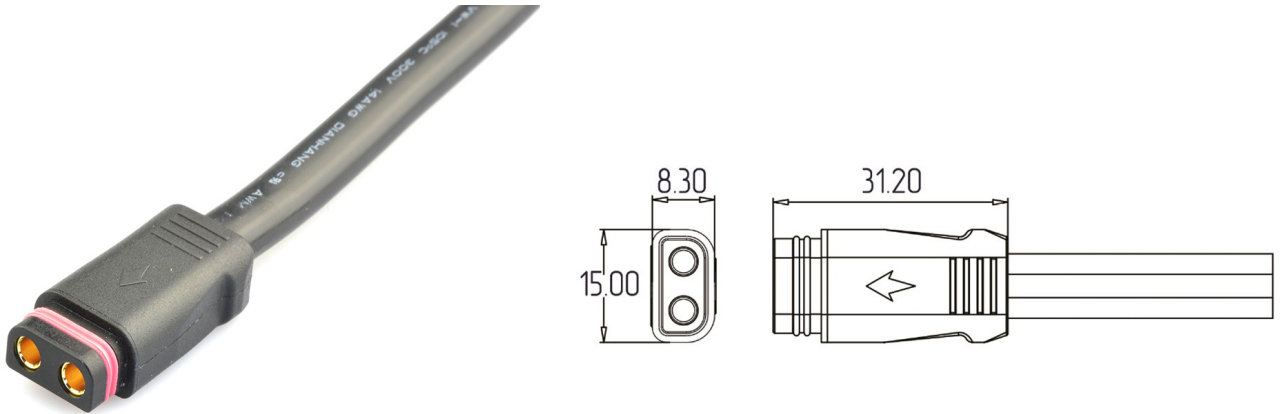
Higo - Z216A

Female cable connector



Z216AM P 00 FD 1000

<https://higoconnector.digitaledoeners.be/en/e-bike-connector/z216amp00fd1000>



Specifications

Electrical Parameters

Max. contact resistance	?10 m?
Max. insulation resistance	?20 M?
Rated current	25 A
Rated voltage	48 V AC / 60 V DC

General Characteristics

Cable Length	1000 mm
Cable diameter	8x5 mm
Color	Balck
Connector diameter	15,0 x 8,3 mm
Connector shape	Plug
Fitting length	51 mm
Gender	Female
IP Protection	IP67
Locking	Push-on (no locking)
Lower temperature	-25 °C
Mating cycles	200 Times
Number of contacts	2

Product data sheet

Higo - Z216A

Female cable connector



Remark	Other cable length/type on request
Upper temperature	80 °C
Wire section	2.5 mm ²

Product data sheet

Higo - Z216A

Female cable connector



Material

Contact plating	Gold over Nickel
Insulation wire	PVC
Material jacket	PVC
Material of contact	Copper Alloy