

Product data sheet

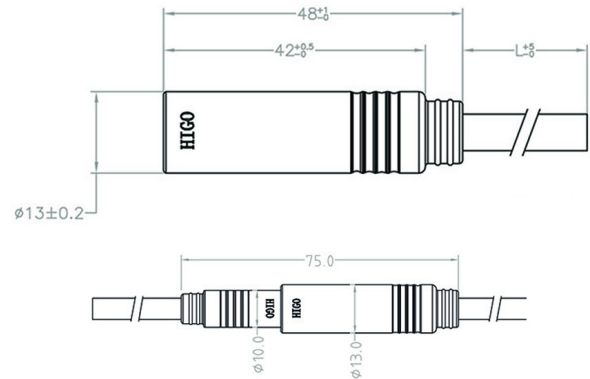
Higo - Z310B

Female cable connector



Z310BM P 00 AA 1000

<https://higoconnector.digitaledoeners.be/en/e-bike-connector/z310bmp00aa1000>



Specifications

Electrical Parameters

Max. contact resistance	?10 m?
Max. insulation resistance	?20 M?
Rated current	15 A
Rated voltage	48 V AC / 60 V DC

General Characteristics

Cable Length	1000 mm
Cable diameter	5.8 mm
Color	Black
Connector diameter	10 / 13 mm
Connector shape	Plug
Fitting length	75 mm
Gender	Female
IP Protection	IP66
Lower temperature	-25 °C
Mating cycles	200 Times
Number of contacts	3
Remark	Other cable length/type on request

Product data sheet

Higo - Z310B

Female cable connector



Upper temperature	80 °C
Wire section	3 x 1,5 mm ²

Product data sheet

Higo - Z310B

Female cable connector



Material

Contact plating	Gold over Nickel
Insulation wire	Teflon
Material jacket	PVC
Material of contact	Copper Alloy