

Product data sheet

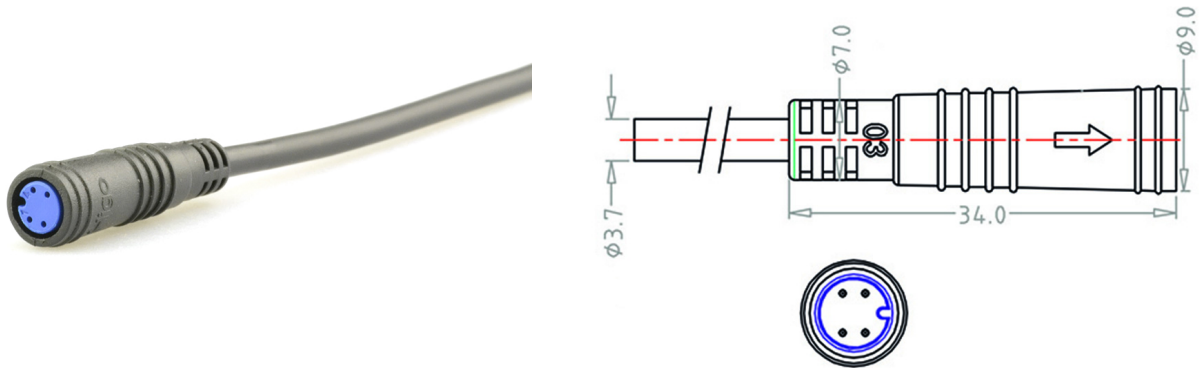
Higo - Mini B

Mini B Female cable connector



Z409BM P 00 A2 1000

<https://higoconnector.digitaledoeners.be/en/e-bike-connector/z409bmp00a21000>



Specifications

Electrical Parameters

Max. contact resistance	?10
Max. insulation resistance	?20
Rated current	2 A
Rated voltage	48 V AC / 60 V DC

General Characteristics

Cable Length	1000 mm
Cable diameter	3.7 mm
Color	Blue
Connector diameter	9 mm
Connector shape	Plug
Fitting length	62 mm
Gender	Female
IP Protection	IP66
Lower temperature	-25 °C
Mating cycles	200 Times
Number of contacts	4
Remark	Other cable length/type on request

Product data sheet

Higo - Mini B

Mini B Female cable connector



Upper temperature	80 °C
Wire section	0.14 mm ²

Product data sheet

Higo - Mini B

Mini B Female cable connector



Material

Contact plating	Gold over Nickel
Insulation wire	PVC
Material jacket	PVC
Material of contact	Copper Alloy