

Product data sheet

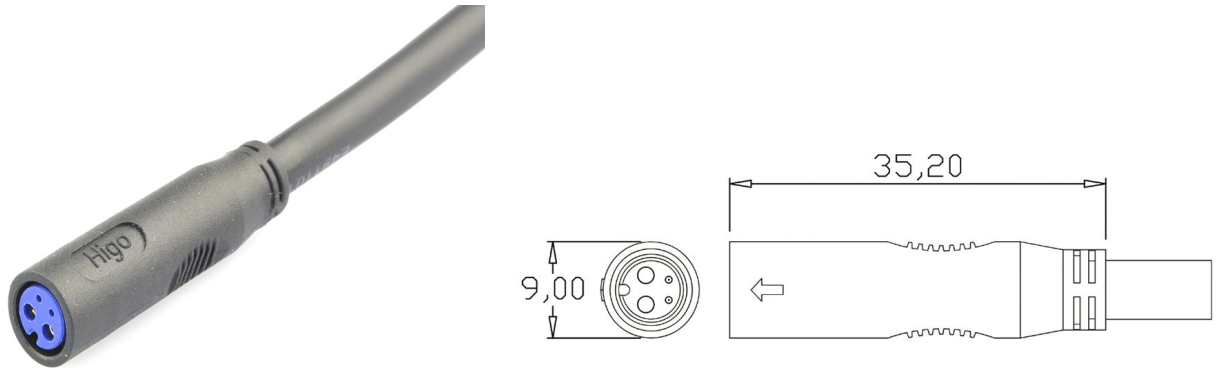
Higo - Z409E

Female cable connector



Z409EM P 00 D5 1000

<https://higoconnector.digitaledoeners.be/en/e-bike-connector/z409emp00d51000>



Specifications

Electrical Parameters

| | |
|----------------------------|-------------------|
| Max. contact resistance | ?10 m? |
| Max. insulation resistance | ?20 M? |
| Rated current | 10 / 2 A |
| Rated voltage | 48 V AC / 60 V DC |

General Characteristics

| | |
|--------------------|------------------------------------|
| Cable Length | 1000 mm |
| Cable diameter | 5.5 mm |
| Color | Blue |
| Connector diameter | 9 mm |
| Connector shape | Plug |
| Fitting length | 61 mm |
| Gender | Female |
| IP Protection | IPX7 |
| Lower temperature | -25 °C |
| Mating cycles | 200 Times |
| Remark | Other cable length/type on request |
| Upper temperature | 80 °C |

Product data sheet

Higo - Z409E

Female cable connector



Wire section

2 x 1,0 + 2 x 0,14

Product data sheet

Higo - Z409E

Female cable connector



Material

| | |
|---------------------|----------------------|
| Contact plating | Gold over Nickel |
| Insulation wire | FEP |
| Material jacket | TPU |
| Material of contact | 4 (2+2) Copper Alloy |