

Product data sheet

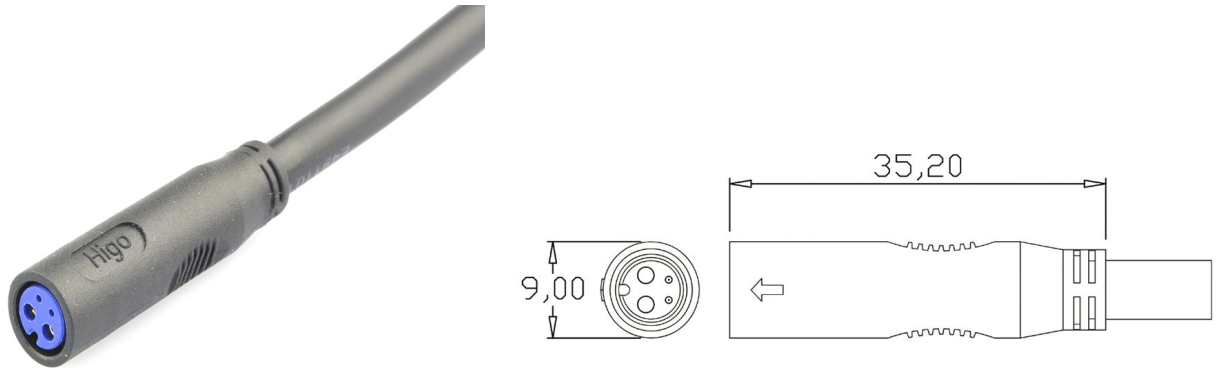
Higo - Z409E

Female cable connector



Z409EM P 00 FE 1000

<https://higoconnector.digitaledoeners.be/en/e-bike-connector/z409emp00fe1000>



Specifications

Electrical Parameters

Max. contact resistance	?10 m?
Max. insulation resistance	?20 M?
Rated current	10 / 2 A
Rated voltage	48 V AC / 60 V DC

General Characteristics

Cable Length	1000 mm
Cable diameter	5.5 mm
Color	Blue
Connector diameter	9 mm
Connector shape	Plug
Fitting length	61 mm
Gender	Female
IP Protection	IPX7
Lower temperature	-25 °C
Mating cycles	200 Times
Remark	Other cable length/type on request
Upper temperature	80 °C

Product data sheet

Higo - Z409E

Female cable connector



Wire section

2 x 1,0 + 2 x 0,14

Product data sheet

Higo - Z409E

Female cable connector



Material

Contact plating	Gold over Nickel
Insulation wire	FEP
Material jacket	PVC
Material of contact	4 (2+2) Copper Alloy