

Product data sheet

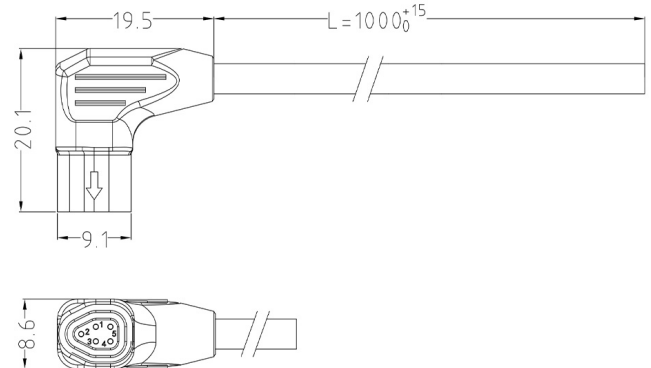
Higo - Mini F

Mini F Female angled plug connector



Z509FM A 00 A3 1000

<https://higoconnector.digitaledoeners.be/en/e-bike-connector/z509fma00a31000>



Specifications

Electrical Parameters

Max. contact resistance	?10 m?
Max. insulation resistance	?20 M?
Rated current	2 A
Rated voltage	48 V AC / 60 V DC

General Characteristics

Cable Length	1000 mm
Cable diameter	3.7 mm
Color	Green
Connector diameter	8,6 x 7,3 mm
Connector shape	Angled plug
Fitting length	20 mm
Gender	Female
IP Protection	IP66
Lower temperature	-25 °C
Mating cycles	200 Times
Number of contacts	5
Remark	Other cable length/type on request

Product data sheet

Higo - Mini F

Mini F Female angled plug connector



Upper temperature	80 °C
Wire section	5 x 0,14 mm ²

Product data sheet

Higo - Mini F

Mini F Female angled plug connector



Material

Contact plating	Gold over Nickel
Insulation wire	Teflon
Material jacket	TPU
Material of contact	Copper Alloy