

# Product data sheet

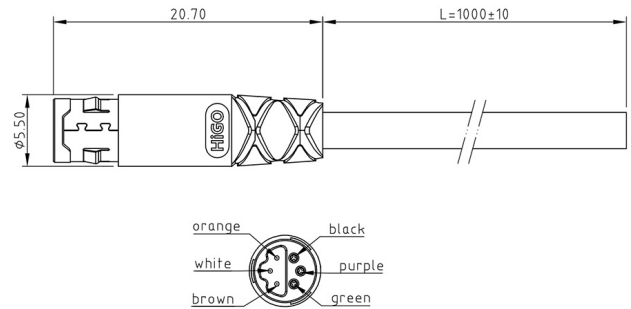
## Higo - Micro X

### Micro X female cable connector



Z605XM P 00 DY 1000

<https://higoconnector.digitaledoeners.be/en/e-bike-connector/z605xmp00dy1000>



## Specifications

### Electrical Parameters

Max. contact resistance	?10 m?
Max. insulation resistance	?20 M?
Rated current	2 A
Rated voltage	48 V AC / 60 V DC

### General Characteristics

Cable Length	1000 mm
Cable diameter	2.8 mm
Color	Black
Connector diameter	5.5 mm
Connector shape	Plug
Fitting length	36 mm
Gender	Female
IP Protection	IP67
Lower temperature	-25 °C
Mating cycles	200 Times
Number of contacts	6
Remark	Other cable length/type on request

# Product data sheet

## Higo - Micro X

### Micro X female cable connector



<b>Terminal type</b>	IP67
<b>Upper temperature</b>	80 °C
<b>Wire section</b>	6 x 0,08 mm <sup>2</sup>

# Product data sheet

## Higo - Micro X

Micro X female cable connector



### Material

Contact plating	Gold over Nickel
Insulation wire	FEP
Material jacket	PVC
Material of contact	Copper Alloy