

Product data sheet

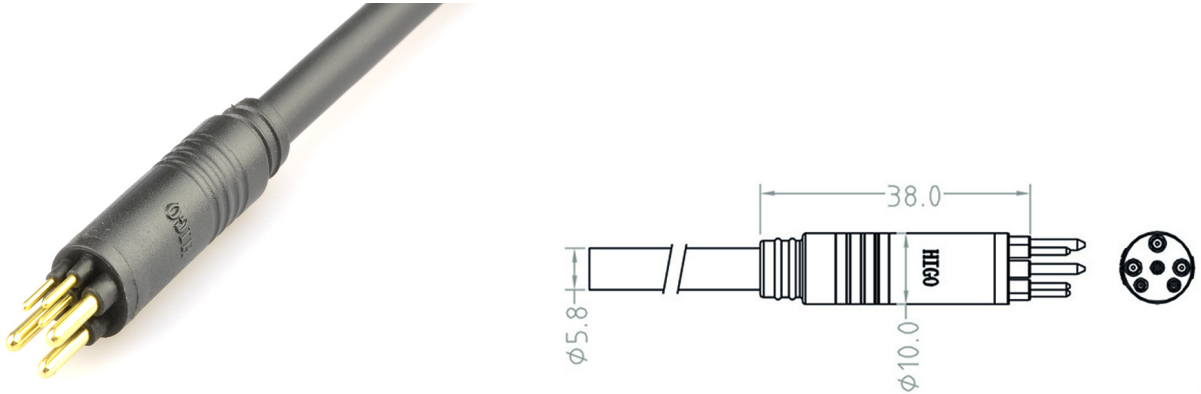
Higo - Z610A

Male cable connector



Z610AG P 00 AC 1000

<https://higoconnector.digitaledoeners.be/en/e-bike-connector/z610agp00ac1000>



Specifications

Electrical Parameters

Max. contact resistance	?10 m?
Max. insulation resistance	?20 M?
Rated current	15 / 2 A
Rated voltage	48 V AC / 60 V DC

General Characteristics

Cable Length	1000 mm
Cable diameter	5.8 mm
Color	Black
Connector diameter	13 mm
Connector shape	Plug
Fitting length	75 mm
Gender	Male
IP Protection	IP66
Lower temperature	-25 °C
Mating cycles	200 Times
Number of contacts	6 (3+3)
Remark	Other cable length/type on request

Product data sheet

Higo - Z610A

Male cable connector



Upper temperature	80 °C
Wire section	3 x 1,2 + 3 x 0,2

Product data sheet

Higo - Z610A

Male cable connector



Material

Contact plating	Gold over Nickel
Insulation wire	Teflon
Material jacket	PVC
Material of contact	Copper Alloy