

# Product data sheet

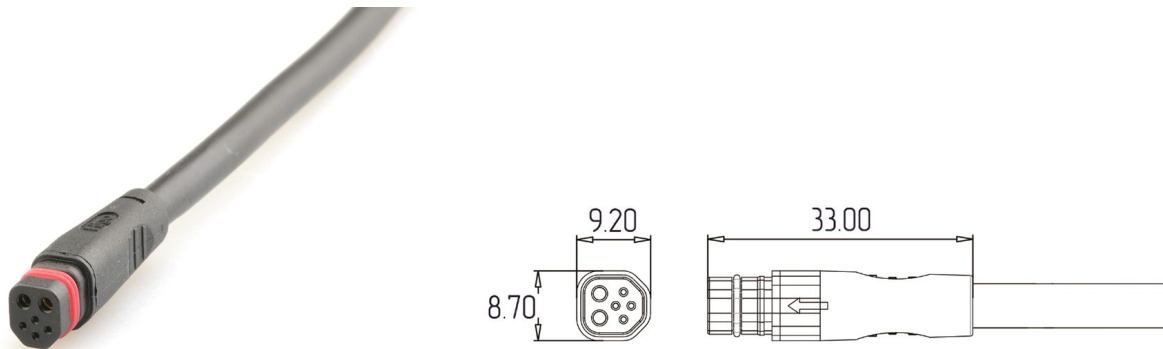
## Higo - Z610C

Female cable connector



Z610CM P 00 DZ 1000

<https://higoconnector.digitaledoeners.be/en/e-bike-connector/z610cmp00dz1000>



## Specifications

### Electrical Parameters

Max. contact resistance	?10 m?
Max. insulation resistance	?20 M?
Rated current	15 / 2 A
Rated voltage	48 V AC / 60 V DC

### General Characteristics

Cable Length	1000 mm
Cable diameter	5,5 mm
Color	Black
Connector diameter	8,70 x 9,20 mm
Connector shape	Plug
Fitting length	59 mm
Gender	Female
IP Protection	IP67
Locking	Push-on (no locking)
Lower temperature	-25 °C
Mating cycles	200 Times
Number of contacts	6 (2+4)

# Product data sheet

## Higo - Z610C

Female cable connector



<b>Remark</b>	Other cable length/type on request
<b>Upper temperature</b>	80 °C
<b>Wire section</b>	2 x 1,5 + 4 x 0,14

# Product data sheet

**Higo - Z610C**

Female cable connector



## Material

Contact plating	Gold over Nickel
Insulation wire	FEP
Material jacket	PVC
Material of contact	Copper Alloy