

Product data sheet

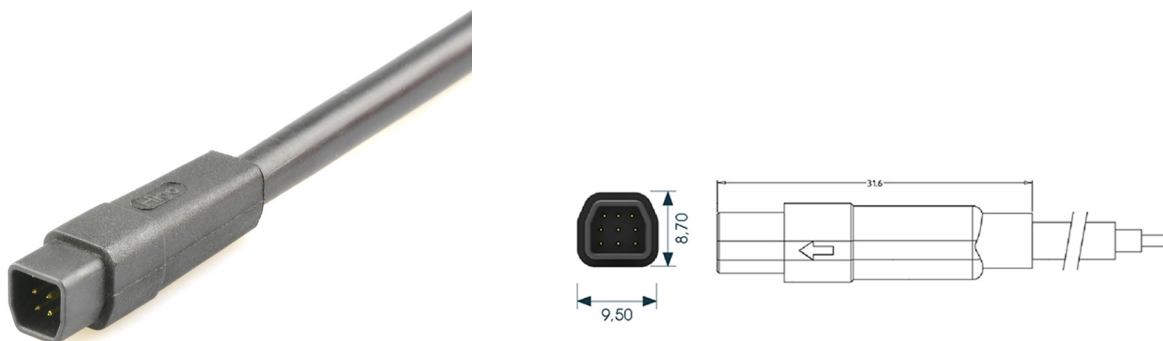
Higo - Mini F

Mini F male cable connector



Z909FG P 00 DN 1000

<https://higoconnector.digitaledoeners.be/en/e-bike-connector/z909fgp00dn1000>



Specifications

Electrical Parameters

Max. contact resistance	?10 m?
Max. insulation resistance	?20 M?
Rated current	2 A
Rated voltage	48 V AC / 60 V DC

General Characteristics

Cable Length	1000 mm
Cable diameter	5.8 mm
Color	Grey
Connector diameter	see drawing
Connector shape	Plug
Fitting length	54 mm
Gender	Male
IP Protection	IP66/IP67
Lower temperature	-25 °C
Mating cycles	200 Times
Number of contacts	9
Upper temperature	80 °C

Product data sheet

Higo - Mini F

Mini F male cable connector



Wire section

0.14 mm²

Product data sheet

Higo - Mini F

Mini F male cable connector



Material

Insulation wire	PVC
Material jacket	PVC
Material of contact	/